

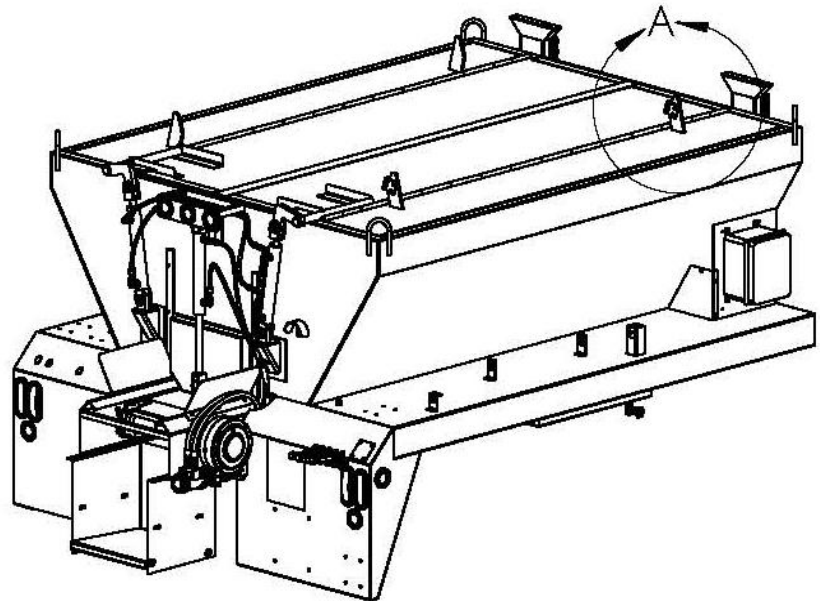
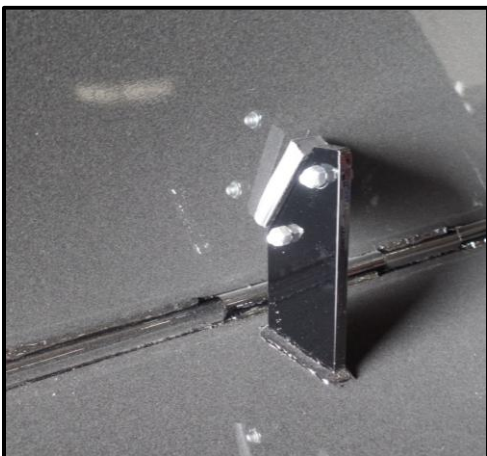
Patcher Rubber Door Stop Upgrade



Upgrade Your Patcher With Our New Door Stops.

Protect Your Equipment From Wear

Simple installation of the door stops will limit the top lid opening angle and reduce the effort required to close the top lids and reduce noise.



| PART NUMBER | DESCRIPTION | QTY |
|-------------|------------------|-----|
| 59492-10 | RUBBER DOOR STOP | 1 |

Contact the PB Loader Parts Department at 800.350.8521 or tscharton@pbloader.com.